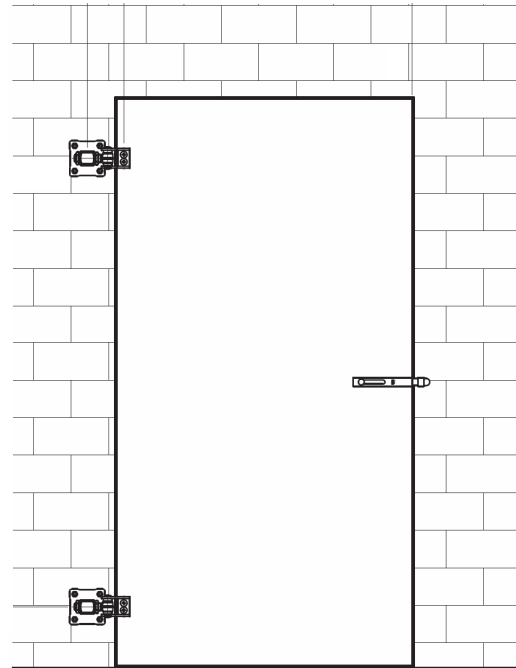
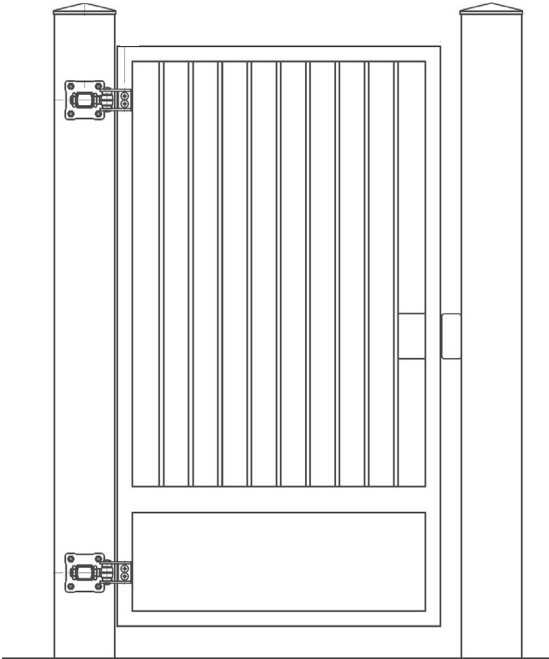
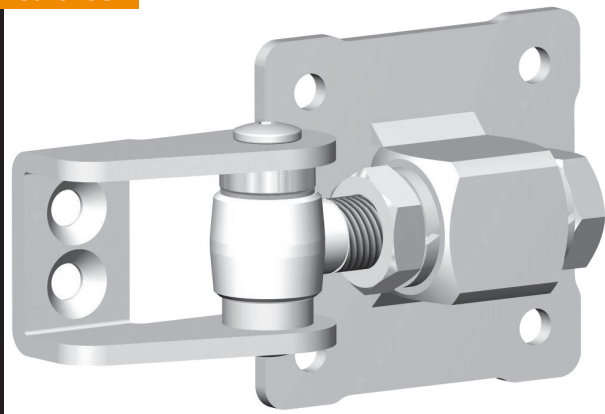


Item Number	Item name
236-M18	Highest quality, Italian made gate Hinge, 180deg Opening, 200kg Capacity, 15mm Adjustment, Zinc plated
236-M22	Highest quality, Italian made gate Hinge, 180deg Opening, 350kg Capacity, 20mm Adjustment, Zinc plated

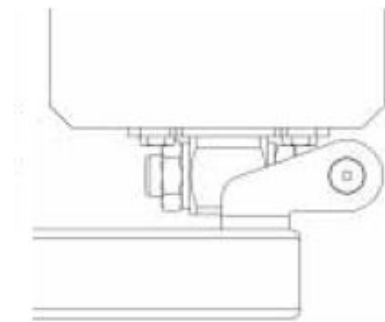
Application:



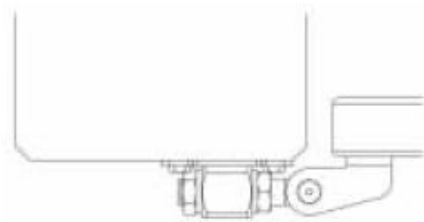
Features:



- Permits 180 degree opening of the gate leaf without reducing the opening width
- Suits steel, wooden and aluminium gates
- Adjustable without removing the gate
- Bolt on or weld-on fitment



Open



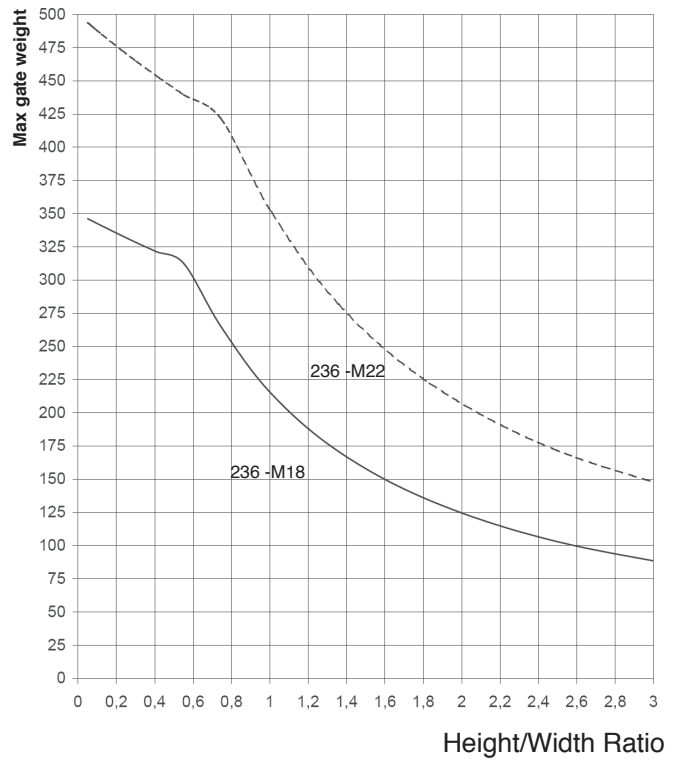
Closed

Downee

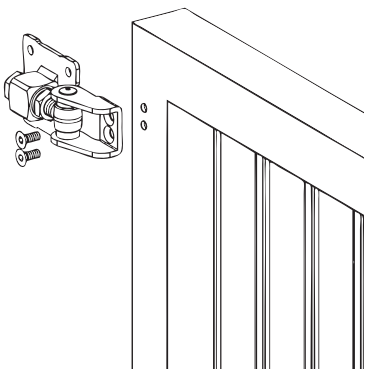
TECHNICAL SHEET

Selecting the hinge:

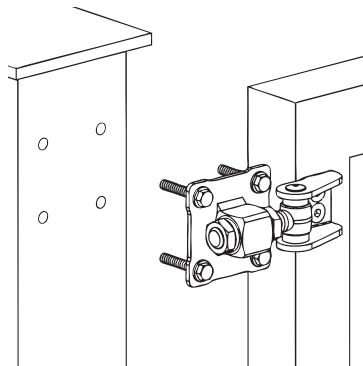
1. Calculate the gate height to width ratio as the **width of the gate** divided by **distance between the hinges**.
2. Use the chart opposite to choose the correct hinge.



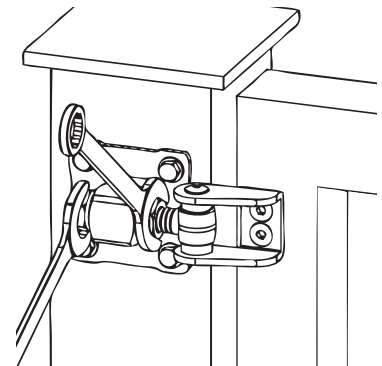
Assembly sequence:



1. Fit the hinge to the gate first. Use M8 countersunk bolts or screws. Alternately weld the bracket in position.



2. Fit the hinge to the post. Positioning the hinge knuckle inside the line of the post will allow the gate to swing fully outside the opening.



3. Turn the nuts to secure and make adjustments.