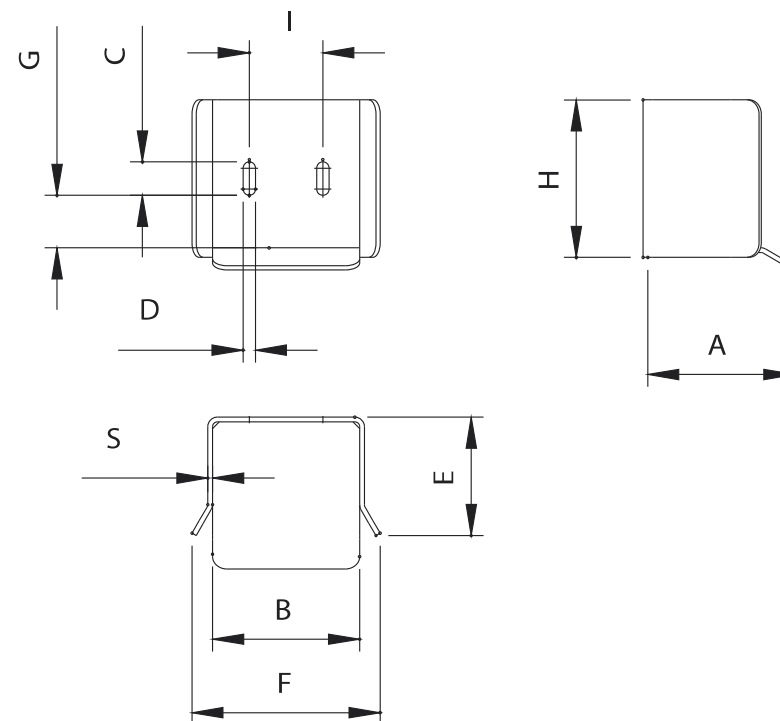
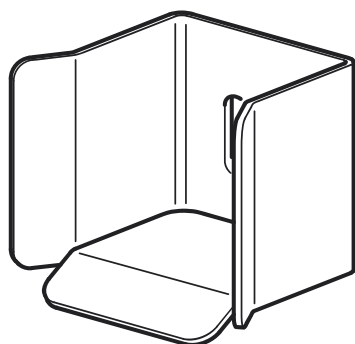





Art. **CGS-346M**

Art. **CGS-346P**

Art. **CGS-346G**



TECHNICAL CHARACTERISTICS			
	CGS-346M	CGS-346P	CGS-346G
WEIGHT OF PART	1,15 Kg	1,80 Kg	3,80 Kg
ASSOCIATED ANGLE BRACKET	CG-15M	CG-15P	CG-15G

Art.		Code	A	B	C	D	E	F	G	H	L	M	N	S		
CGS-346M	mini	10705501 001	104	78	25	9	75	114	25	91	38	4	2	2,30	2	2,00
CGS-346P	little	10705505 001	119	112	30	11	84	154	33	112	50	4	2	3,60	2	3,40
CGS-346G	big	10705510 001	159	154	35	13	120	197	55	165	77	5	2	7,60	2	8,30

