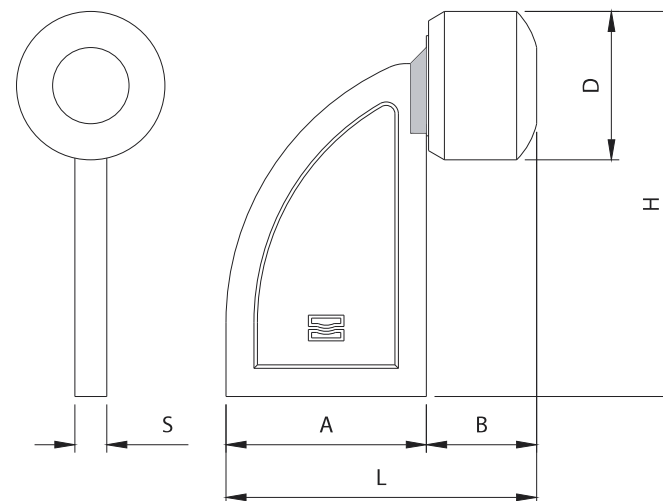





Art. 200



TECHNICAL CHARACTERISTICS				
		200P	200G	
WEIGHT OF PART		0,26 Kg	0,46 Kg	
MAX. IMPACT AT 0.3 m/s		3000 Kgf	4000 Kgf	
MAINTENANCE FREQUENCY				
PRIVATE HOME	BUSINESS	WAREHOUSE	CONDOMINIUM <20 UNITS	CONDOMINIUM > 20 UNITS
1 YEAR *	1 YEAR *	1 YEAR *	6 MONTHS *	6 MONTHS *
Check the Nylon cap. Check for any deformation on the striker.				
Check the welds.				
*The scheme refers to a normal workplace (not marine or particularly aggressive environments).				

Art.		Code	A	B	D	H	L	S		 Kg
200P	little	10701505 001	50	27	Ø37	96	77	8	30	7,90
200G	big	10701510 001	70	28	Ø42	120	98	10	15	6,90

