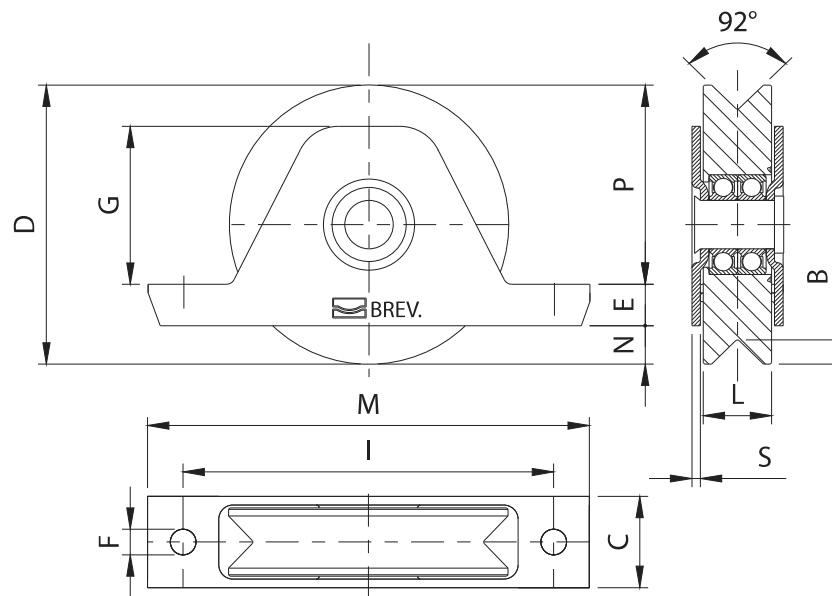






Art. 336V



TECHNICAL CHARACTERISTICS				
WEIGHT OF PART		LOAD-BEARING CAPACITY		
336V-90	1,27 Kg	300 Kgf		
336V-100	1,53 Kg	380 Kgf		
336V-120	2,50 Kg	400 Kgf		
336V-140	3,50 Kg	420 Kgf		
336V-160	5,30 Kg	640 Kgf		
336V-200	8,40 Kg	700 Kgf		
MAINTENANCE FREQUENCY				
PRIVATE HOME	BUSINESS	WAREHOUSE	CONDOMINIUM <20 UNITS	CONDOMINIUM > 20 UNITS
1 YEAR *	1 YEAR *	1 YEAR *	6 MONTHS *	6 MONTHS *
Check wheel wear.				
Check fixing to upright.				
*The scheme refers to a normal workplace (not marine or particularly aggressive environments).				

Art.	INOX	B		C	D	E	F	G	I	L	M	N	P	S	 Kg		 Kg
336V-90	11514530 001	8,5	2	32	Ø88	14,5	Ø9	55,5	130	24	155	9	64,5	3	300	6	7,60
336V-100	11514540 001	8,5	2	32	Ø98	14,5	Ø9	55,5	130	24	155	14	69,5	3	380	6	9,20
336V-120	11514550 001	10	2	37	Ø117	15	Ø9	65	155	28	185	16,5	85,5	3	400	2	5,00
336V-140	11514560 001	10	2	40	Ø137	17	Ø11	77	175	28	205	15	105	3	420	2	7,00
336V-160	11514570 001	10	2	42	Ø157	20	Ø11	87	195	33	225	20,5	116,5	3	640	2	10,60
336V-200	11514580 001	10	2	42	Ø197	22,5	Ø11	107,5	240	31	275	26,5	148	3	700	2	16,80

