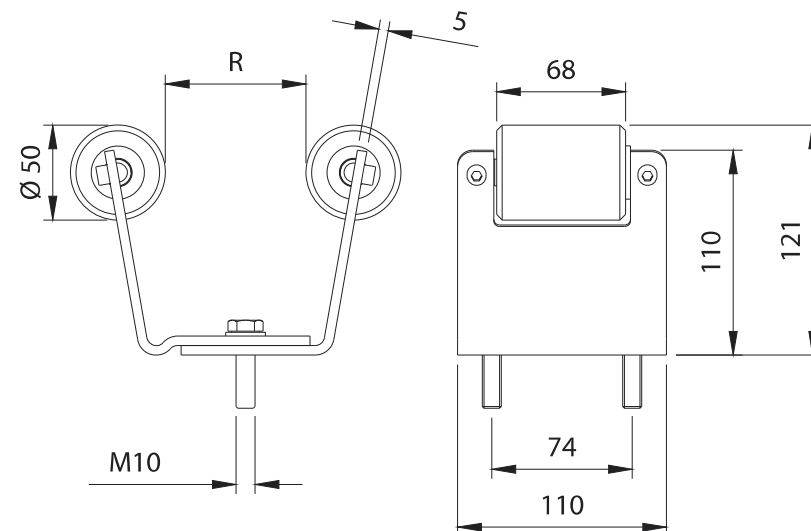
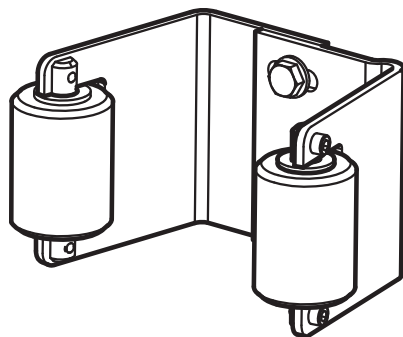



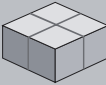

Art. **CG-30M**

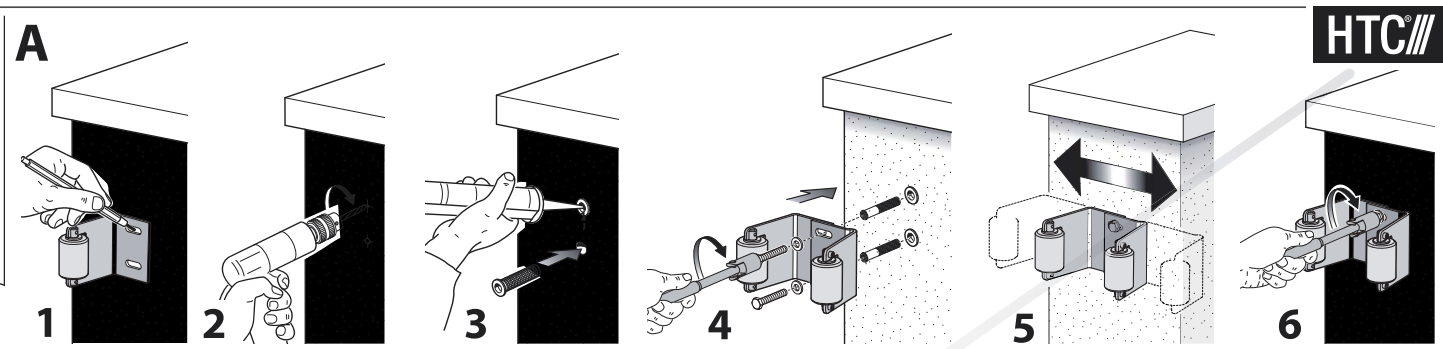
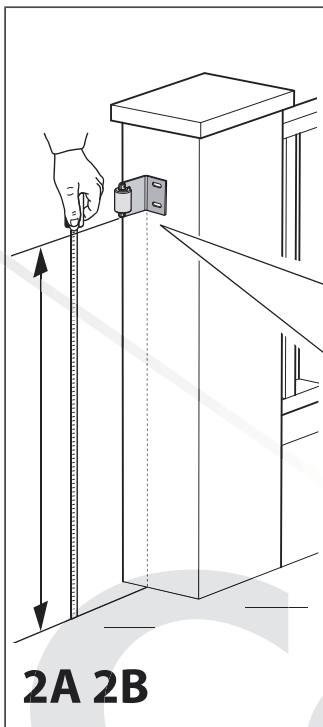
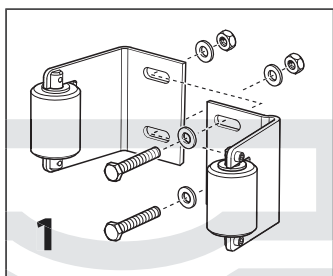
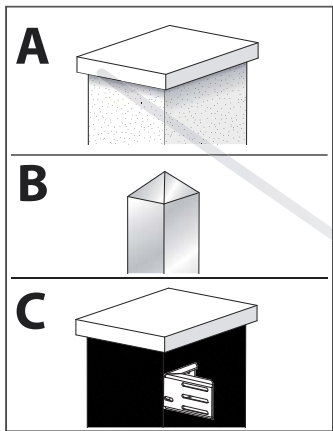
Art. **CG-30P**

Art. **CG-30G**



TECHNICAL CHARACTERISTICS			
	CG-30M	CG-30P	CG-30G
WEIGHT OF PART	1,50 Kg	1,90 Kg	2,30 Kg
MIN. WIDTH OF SIDE UPRIGHT	50 mm	80 mm	100 mm
MAX. WIDTH OF SIDE UPRIGHT	70 mm	110 mm	140 mm
ASSOCIATED CORNER BRACKET	CG-15M	CG-15P	CG-15G

Art.		Code	R		
CG-30M	mini	10707601 001	53-76	1	1,50
CG-30P	little	10707605 001	86-114	1	1,90
CG-30G	big	10707610 001	103-150	1	2,30



HTC

