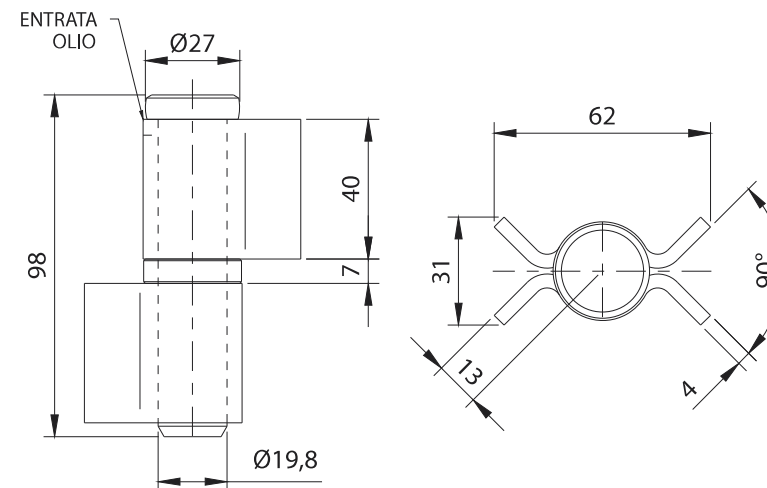
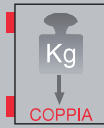
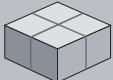



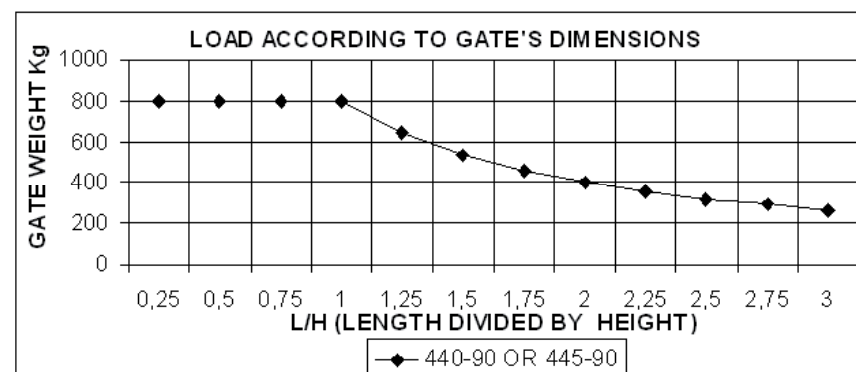
Art. 440

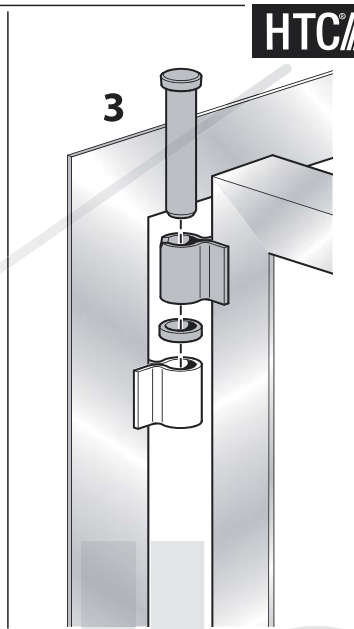
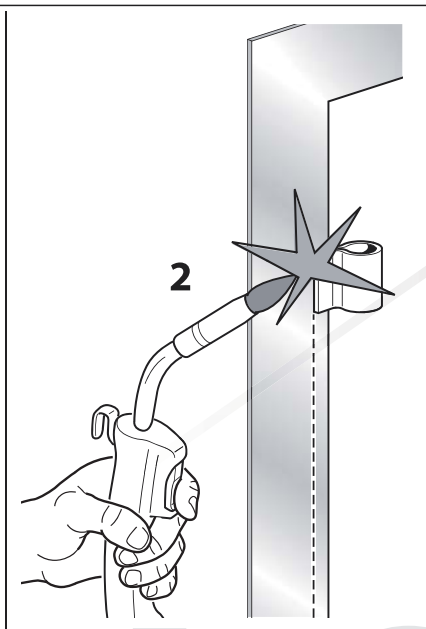
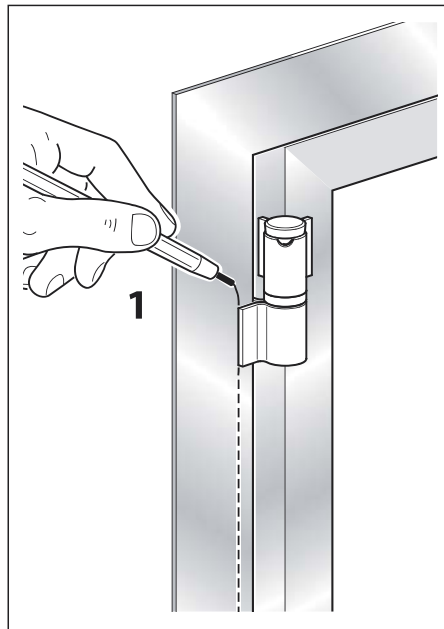
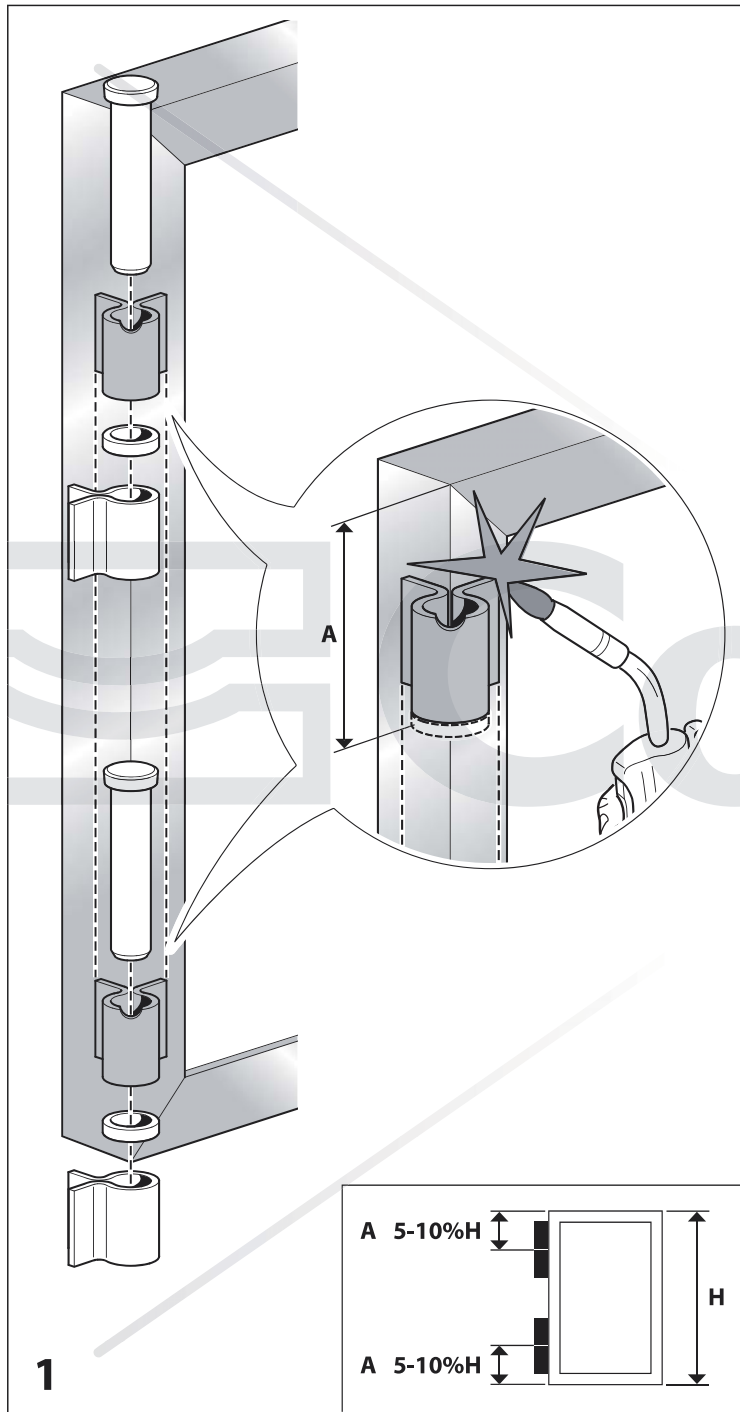
Art. 445



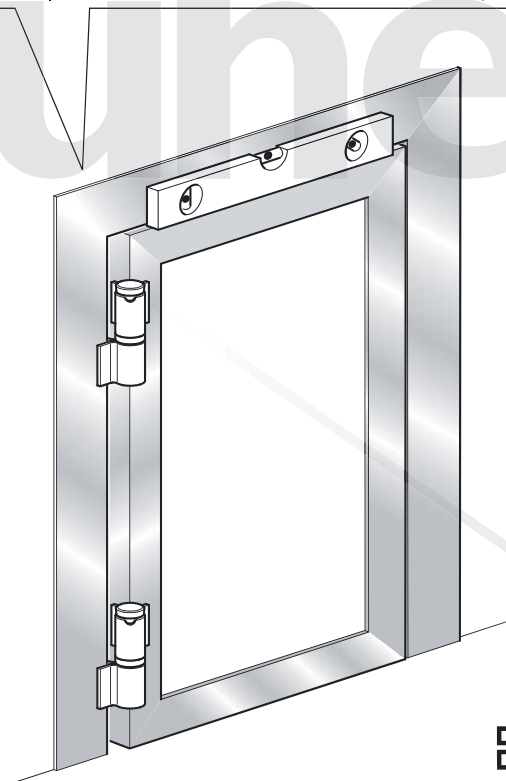
TECHNICAL CHARACTERISTICS				
	440-90	445-90		
WEIGHT OF PART	0,54 Kg	0,54 Kg		
LOAD-BEARING CAPACITY L/H=1	800 Kg (pair)	800 Kg (pair)		
PARTS SUBJECT TO WEAR	PIN WASHER	PIN BEARING		
MAINTENANCE FREQUENCY				
PRIVATE HOME	BUSINESS	WAREHOUSE	CONDOMINIUM <20 UNITS	CONDOMINIUM > 20 UNITS
1 YEAR *	1 YEAR *	1 YEAR *	6 MONTHS *	6 MONTHS
Check pin, washer or bearing wear. Oil the pin.				
Check welds and horizontality of sash.				
*The scheme refers to a normal workplace (not marine or particularly aggressive environments).				

Art.	Code	 COPPIA		
440-90	11607509	800	10	5,40
445-90	11608009	800	10	5,40





HTC///



2

Comunello

Art. 440
Art. 445

© 2009 - Fratelli Comunello Spa - All right reserved