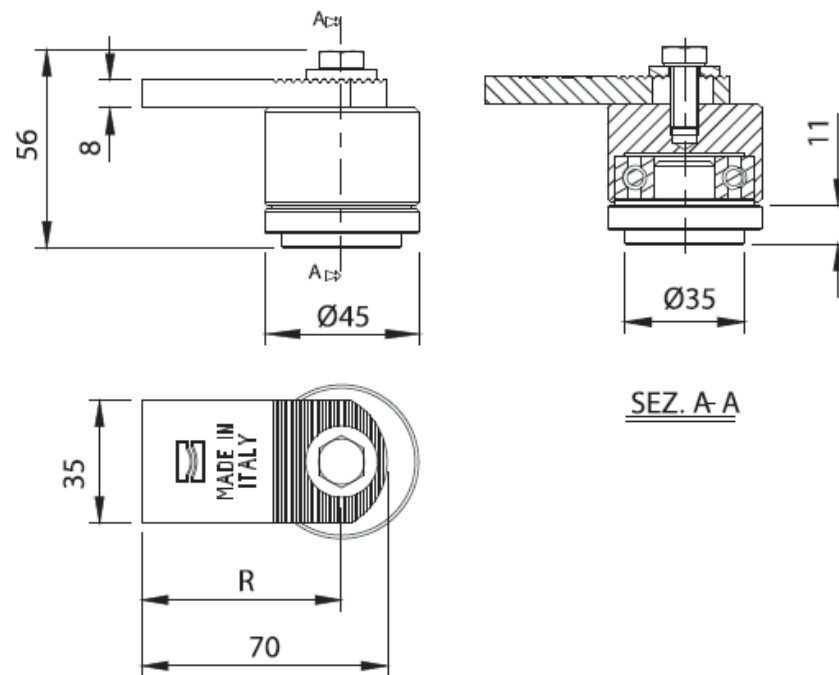




Art. 86 P



TECHNICAL CHARACTERISTICS				
		86P		
WEIGHT OF PART		0,58Kg		
LOAD-BEARING CAPACITY (P) L/H=1		200 Kg (with bottom hinge 87P)		
DURATION 110% (P)		260.000 Cycles (with bottom hinge 87P)		
MAINTENANCE FREQUENCY				
PRIVATE HOME	BUSINESS	WAREHOUSE	CONDOMINIUM <20 UNITS	CONDOMINIUM > 20 UNITS
1 YEAR *	1 YEAR *	1 YEAR *	6 MONTHS *	6 MONTHS *
Check hinge wear. Check tightening of upper screws.				
Check welds and horizontality of sash.				
*The scheme refers to a normal workplace (not marine or particularly aggressive environments).				

Art.		Code	R			
86P	piccolo Ø45	10800505 001	50-60	200	4	2,30

