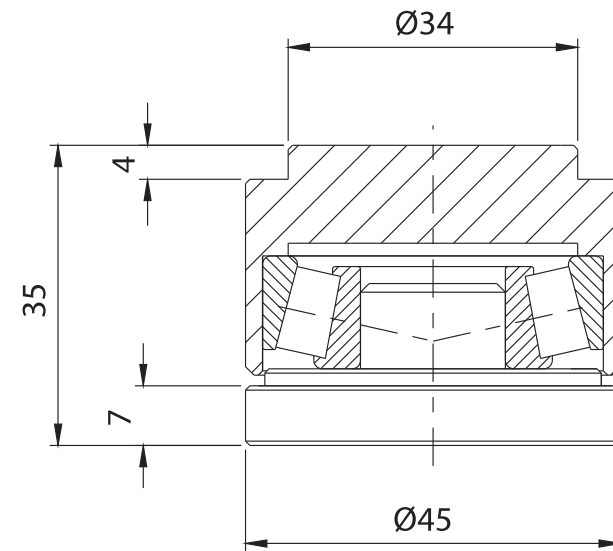


Art. 87 P



TECHNICAL CHARACTERISTICS				
	87P			
WEIGHT OF PART	0,37Kg			
LOAD-BEARING CAPACITY (P) L/H=1	200 Kg (with top hinge 86P)			
DURATION 110% (P)	260.000 Cycles (with top hinge 86P)			
MAINTENANCE FREQUENCY				
PRIVATE HOME	BUSINESS	WAREHOUSE	CONDOMINIUM <20 UNITS	CONDOMINIUM > 20 UNITS
1 YEAR *	1 YEAR *	1 YEAR *	6 MONTHS *	6 MONTHS *
Check hinge wear.				
Make sure the hinge acts as a single body with the base. Check welds and horizontality of sash.				
*The scheme refers to a normal workplace (not marine or particularly aggressive environments).				

Art.		Code			
87P	little Ø45	10801005 001	200	4	1,50

