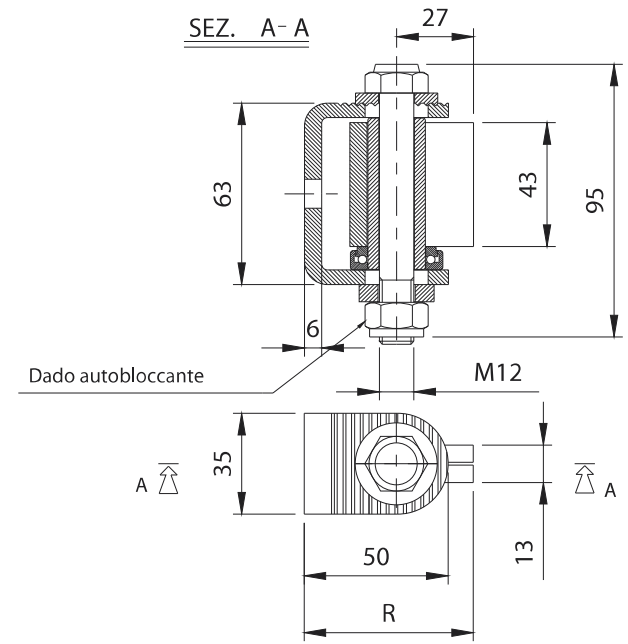
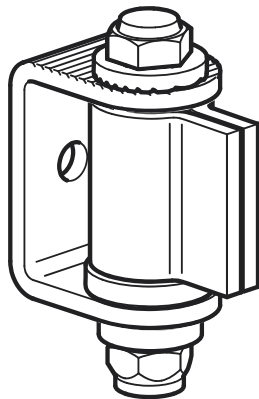






Art. 92 G



TECHNICAL CHARACTERISTICS				
		92G		
WEIGHT OF PART		0,63 Kg		
LOAD-BEARING CAPACITY (P) L/H=1		300 Kg (pair of 92G)		
MAINTENANCE FREQUENCY				
PRIVATE HOME	BUSINESS	WAREHOUSE	CONDOMINIUM <20 UNITS	CONDOMINIUM > 20 UNITS
1 YEAR *	1 YEAR *	1 YEAR *	6 MONTHS *	6 MONTHS *
Check hinge wear.				
Check welds and horizontality of sash.				
*The scheme refers to a normal workplace (not marine or particularly aggressive environments).				

Art.		Code	R			
92G	big	10803005	54-64	300	10	6,30

